

# ASSA Key and Cylinder Systems



Airports



Law Enforcement Facilities



Weapons Storage



Correction Facilities



Government Buildings



Schools and Colleges



Narcotics Storage



Health Care Facilities



Evidence & Record Storage



Defense Contractors



PROX by  
**HID**

**C4™**  
Concept 4

**CLIQ™**

ASSA ABLOY, the global leader  
in door opening solutions

**ASSA®**  
ASSA ABLOY

# Twin Maximum

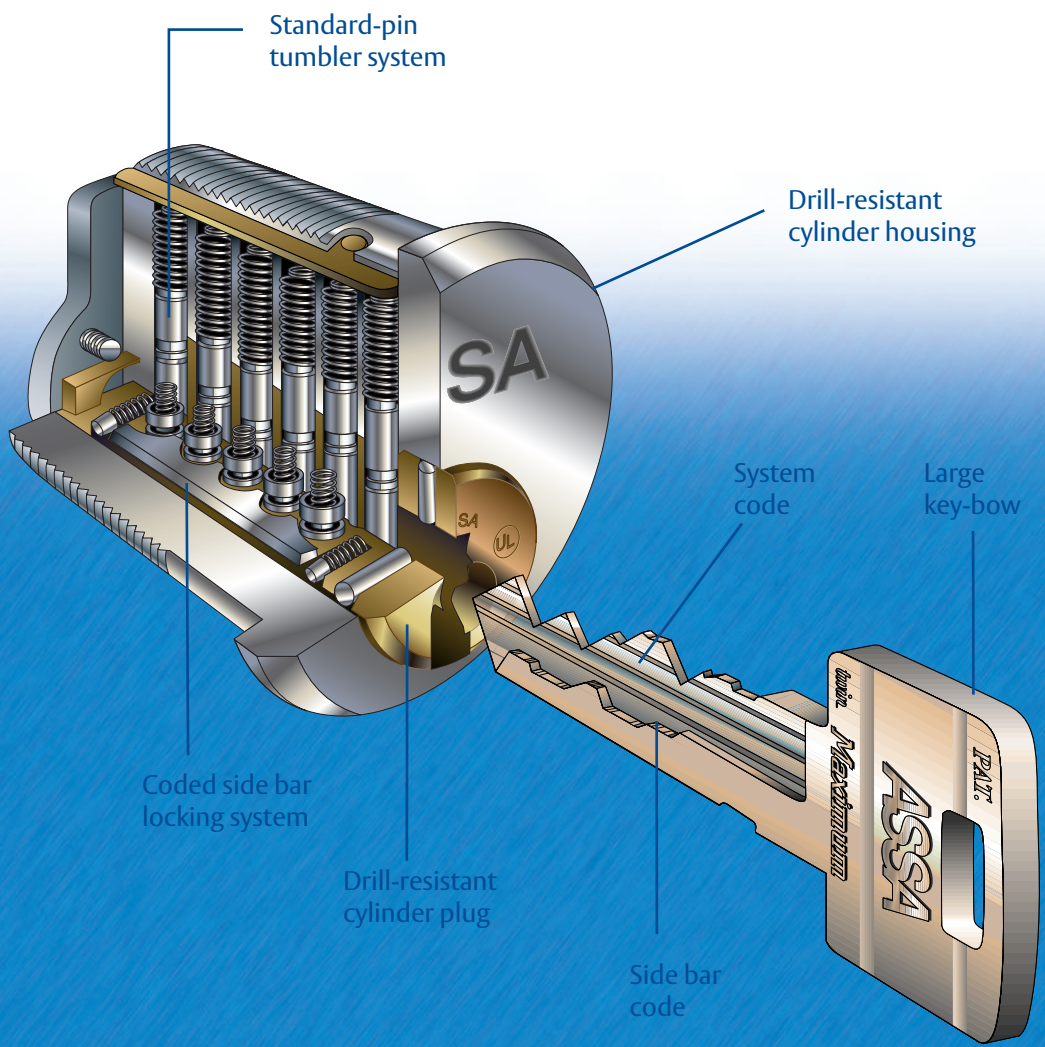
Developed in 2005 and released in January 2006. This patented key system is offered through distribution as the next generation in patented key control. The standard system is UL 437 listed and it offers a Non UL version for those areas that may not meet the criteria of a secure opening. This key system offers a number of options that enhance its use within your security network.

This Twin Maximum has the capability to be multiplexed meaning that the number of sidebar combinations can be increased to accommodate key systems that exceed one million standard combinations. Another unique feature is that this key system interfaces with our new ASSA Access Control C4 electromechanical key system creating a system in which your security options are virtually endless.



## Primary Segments:

- Airports
- Department of Defense
- Commercial Buildings
- Institutional Facilities
- Health Care Facilities

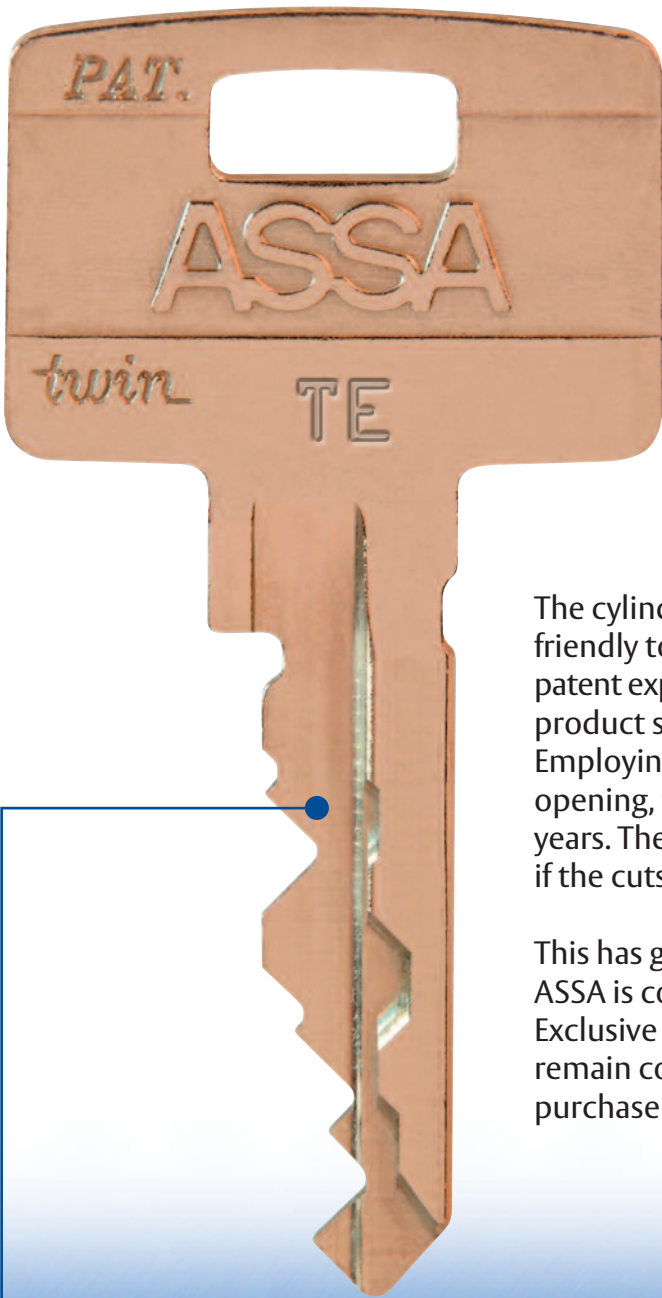


# Twin 6000 & Twin Exclusive

The ASSA Twin 6000 key system was our first patented key system designed and patented in 1982/1984 by Bo Widen of Widen Industries. This patented key system took off across North America giving locksmiths and end-users their own private key section. The Twin 6000 system was widely used for institutions that required in excess of 100,000 change keys in the system. The durability of the key has become famous as the key that would not break. It has been used for opening shipping boxes, paint cans, and as a pry bar, however, of course none of these uses are endorsed by ASSA!

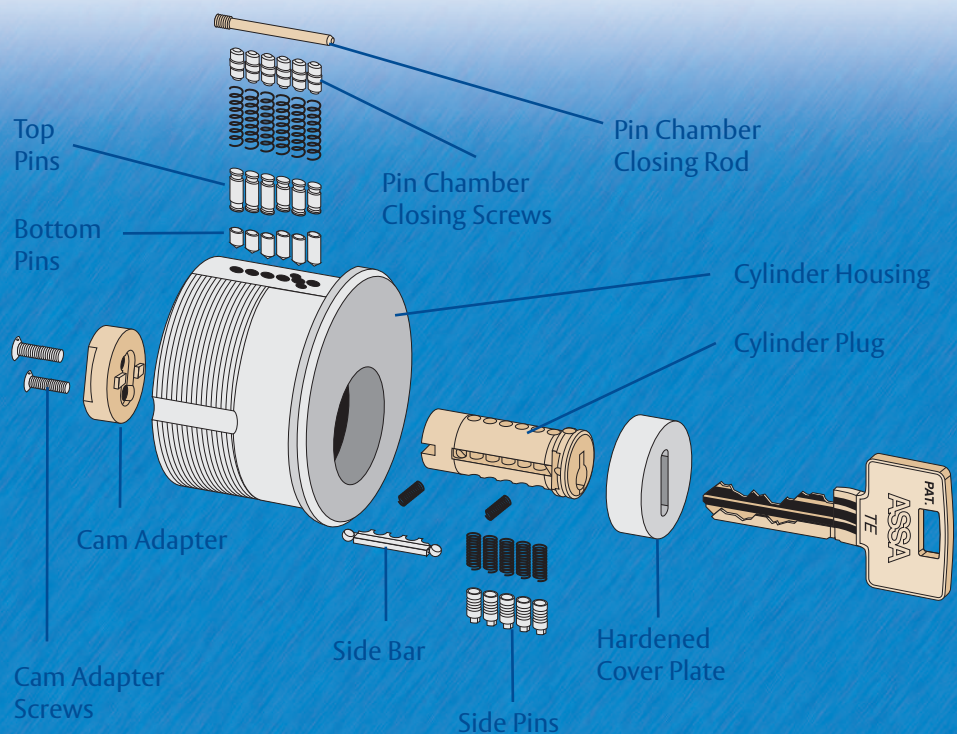
The cylinder, based on a conventional pin tumbler cylinder, is very user friendly to Service Technicians and it is very easy to service. When the patent expired on 12/31/1999 ASSA responded with a new upgraded Twin product series release in the spring of 2000 called the Twin Exclusive. Employing a patented undercut in the key and a modified cylinder plug opening, we were able to extend the life of the patent for another 14 years. The Twin Exclusive key will enter a Twin 6000 cylinder and operate if the cuts are the same and they are on the same sidebar code.

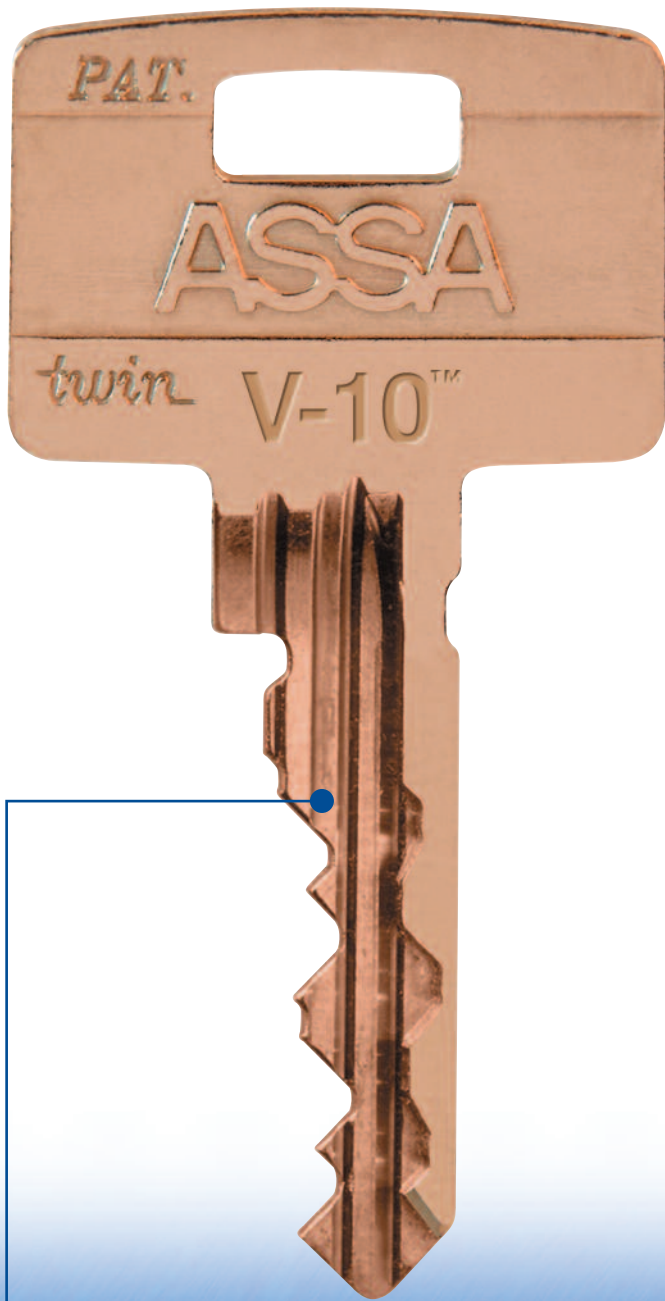
This has given our customers extended patent protection until 2014. ASSA is committed to continuing to support the Twin 6000 and Twin Exclusive key systems into the future. The sidebars and keys will always remain controlled items to ASSA and a contract will be required to purchase them.



## Primary Segments:

- Correctional Facilities
- Industrial & Institutional Facilities
- Dealer-based Systems
- Educational Facilities





## Twin V-10™

The ASSA Twin V-10 key system was designed in 1993 at the request of the Department of Defense and the Port Authority of New York and New Jersey (World Trade Center). These two agencies required the most secure cylinder available while still maintaining the relative simplicity and ease of service of the renowned Twin 6000 system.

Twin V-10 special features are:

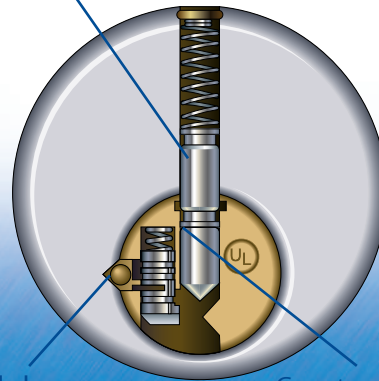
- Multiple pitched side pins to enhance the combinations.
- Ability to offer a key system that would exceed 1 million changes under a single master key.

Each of these two agencies entered into an exclusivity contract that gave each their own profile controlled exclusively the ASSA factory. Even today, as the Port Authority considers the future of the World Trade Center complex, their ASSA key system is protected for life.

### Primary Segments:

- Government Institutions
- Large Institutions
- Defense Contractors
- Dealer-based Systems

Spoiled driver pins



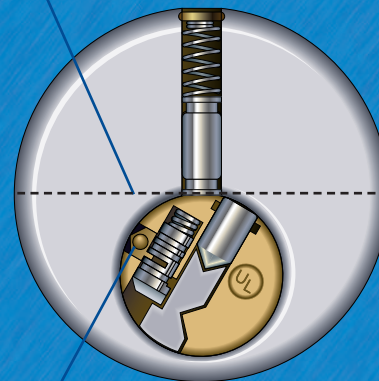
#### No key inserted:

- Standard pins block the shear line.
- Side bar rests in groove of cylinder housing, blocking movement of plug.

Side bar

Counter milling

Shear line



Side bar

#### Correct key inserted:

- System code of key lifts standard pins to shear line.
- Side bar code of key lifts side pins into a position where the side bar can be received. Side bar then recesses into plug as key is turned.

## Twin Pro

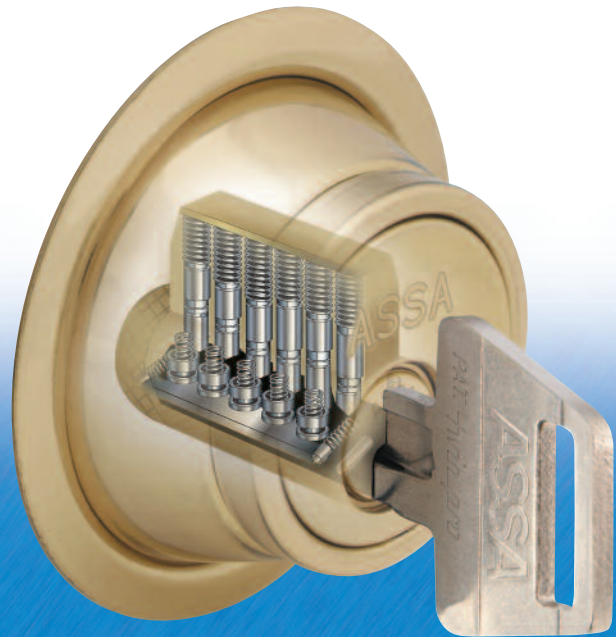
The ASSA Twin Pro system was designed in 2003 to meet the demand of our customers for the most secure ASSA key system. Twin Pro has the best of Twin 6000 and Twin V-10 incorporated into one key system. This patented key system has very strict contracts pertaining to it that do not allow the restricted product to be stocked by anyone but the End-User. This is the only product that we do not allow distribution to stock on their shelves.

The product is shipped directly from our Secure ASSA plant in New Haven, Connecticut to the End-User's facility. The uniquely shaped head identifies it from our other lines of key system products. This product is used in a wide range of applications from securing your home, loved ones and possessions to large institutional facilities.



### Primary Segments:

- Proprietary End Users
- ASSA Certified Service Centers
- Educational Facilities



# ASSA Access Control Concept 4™

Development started in 1998 with a concept and blossomed into the world's most innovative electromechanical key and cylinders system ever designed. ASSA has had this system in continuous operation since 2000. This system withstood years of constant use and abusive field testing. It was during those years that new ideas evolved from the market.



Concept 4

- Concept 4 (C4) is unique to this version to the ASSA CLIQ firmware platform.
- Concept 4 enables you to have side code interface with the Twin Maximum key system, as well as an access control system within the cylinder and key.
- Concept 4 is a fully functioning mechanical pin tumbler key system.
- Concept 4 also has the capability to carry an HID Prox output chip to interface.



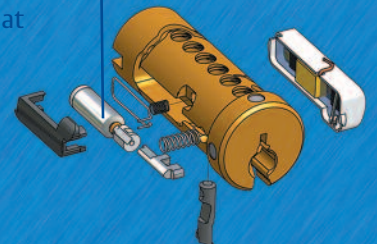
Top and Bottom Pins

Specific ASSA Twin Maximum Key Systems

Coded Sidebar

HID Prox Chip in Head of Key

An electronic circuit board and motor drives the electromechanical blocking element that locks the side rail.



## Primary Segments:

- Airports
- Government Facilities
- Health Care Facilities
- Law Enforcement Agencies
- Banking Facilities
- Cash Storage Facilities



ASSA ABLOY, the global leader in door opening solutions

ASSA ABLOY is the global leader in door opening solutions dedicated to satisfying end-user needs for security, safety and convenience.

ASSA, Inc.  
110 Sargent Drive  
P.O. Box 9453  
New Haven, CT 06534-0453

Phone: 800-235-7482  
Fax: 800-892-3256

ASSA, Canada  
160 Four Valley Drive  
Vaughan, ON L4K 4T9  
Canada

Phone: 905 738-2466  
Fax: 905 738-2678

Websites:  
[www.assalock.com](http://www.assalock.com)  
[www.assacliq.com](http://www.assacliq.com)