

# ASSA Outdoor Wall PD

**ASSA**<sup>®</sup>  
ASSA ABLOY

Vandal proof key updating device for CLIQ<sup>®</sup> Remote

ASSA ABLOY, the global leader  
in door opening solutions



## Application

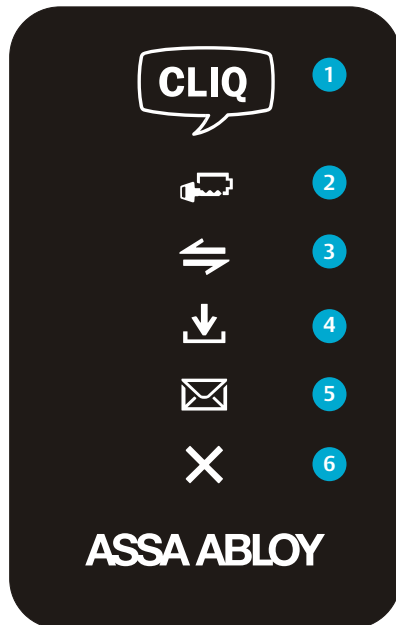
The Outdoor wall PD unit is used in a CLIQ<sup>®</sup> Remote system to allow the user to update their key permissions, without visiting the administrator. The key-holder simply inserts their key into the Outdoor wall PD keyhole and their key authorizations and schedule will be instantly updated. This allows changes to the user keys fully independent of the administrator's location or time of day.

CLIQ<sup>®</sup> Remote promotes improved organization of the locking system and can eliminate programming, travel and expenses. The Outdoor wall PD is considered to be safe, no security risk involved where someone unauthorized can get possession of secret information like encryption keys. No data is stored within the unit.

## Features

- Version Requirements: CLIQ<sup>®</sup> Remote
- Speaker: Acoustic signals
- Material of frame: Stainless steel and PC / ABS Plastic
- Interface for debugging: LED 6pcs
- Connections: USB 2.0 for Certificates Reading (only in configuration)
- Communication: Ethernet TCP / IP cable with RJ45 connector IEEE 802.3
- Encryption to server: PKI-SSL 256 bit
- Encryption key: 3DES
- Power supply: 12-24V DC or PoE 42-57V DC
- Power consumption: 3W Operating.
- Temperature range: -40 ° C +80 ° C
- Humidity: 20-80%
- Protection Rating: IP65
- Vandalism-resistant: IK9 – EN 62262
- Environmental standards and labels: RoHS, CE, FCC
- Cable Connection: Standard network cable
- Mounting: Suitable for outdoor usage and vandalism hazard areas
- Weight: 1200 g
- Dimensions (W x H x D):  
Surface mounting: 119 x 221 x 63 mm
- Operation: See CLIQ<sup>®</sup> Web Manager – Installation Manual

### Function

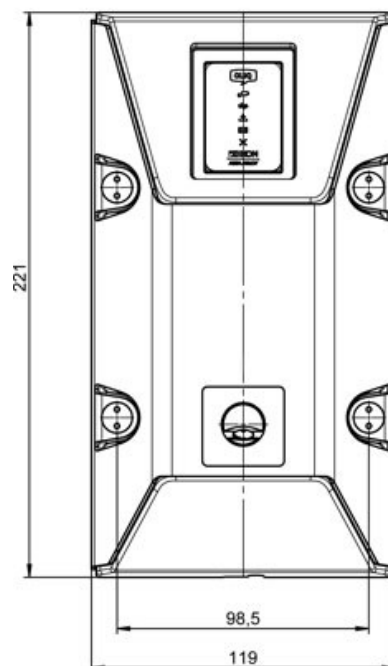


### Indication Outdoor Wall PD

- 1 When the CLIQ<sup>®</sup> logo light is solid the Wall PD is ready to be used. If the light is blinking, Wall PD is not function ready. In this case contact the system administrator.
- 2 **Level of battery** – If the indication is lit, the battery level of the key is low and key functionality will end after few operations. Take key to battery change.
- 3 **Connection to the CLIQ<sup>®</sup> Remote server** – When indication is blinking the Wall PD is contacting the Remote server. When indication is solid the connection has been established.
- 4 **Key programming** – When indication is blinking key is programmed. Do not remove key at this stage. Key programming is finished when indication is solid and the Wall PD gives an audible beep.
- 5 **Message** – If the system administrator is using e-mail postings for informing the key holders there might be an indication of an e-mail sent. E-mail contains the keys valid time, schedule and authorizations.
- 6 **Error** – Red light and three audible beeps. An error occurred. Remove the key from the keyway and re-insert it after couple of seconds. If the error still exists contact the system administrator.

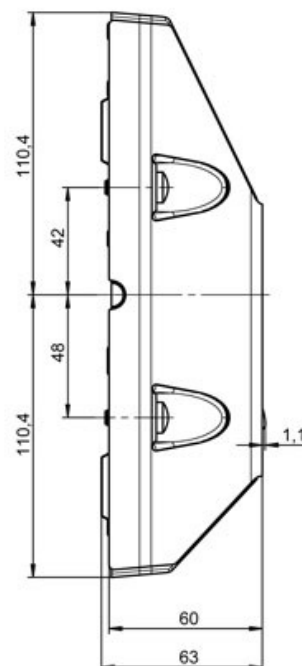
Dimension drawing

SUR=0



SUR=0

Article-no. 70 41 92



Dimensions in mm. Not proportional.

ASSA ABLOY is the global leader in door opening solutions, dedicated to satisfying end-user needs for security, safety and convenience

ASSA Inc  
110 Sargent Drive  
New Haven, CT 06511 USA  
Phone 800-235-7482

[www.assalock.com](http://www.assalock.com)

ASSA Canada  
160 Four Valley Drive  
Vaughan, ON L4K 4T9  
Phone 905-738-2466