

Designed with both security and convenience in mind, the ASSA Large Format Interchangeable core cylinder is perfect for apartment buildings, dormitories, classrooms, and other applications requiring instant rekeying capabilities. This cylinder is adaptable to a variety of large format interchangeable core applications and can be integrated into master keyed systems that use both standard and interchangeable core cylinders. Available in standard ASSA format, large format Schlage, Yale 6 pin, Sargent 6 pin, and Corbin-Russwin 6 pin formats. Only ASSA format Interchangeable core cylinders are listed under U.L. 437.



Benefits:

- Easily rekeyed openings in the field
- Can be used in master key system with standard locks
- Available in multiple manufacturers' formats
- Drill resistant cylinder housing and plug
- Case-hardened steel inserts and stainless steel pins
- Two independent locking mechanisms to ensure security and optimum pick resistance
- Inactive "false" gates in side pins designed to increase pick resistance
- Counter mill in each chamber position to further enhance pick resistance

Technical Information:

- Available for 1-1/4" and 1-3/4" mortise and rim cylinders
- Build-up pins in first four positions operate control feature
- Cylinder housing and interchangeable core are made of high quality brass
- Stainless steel top pins
- Bottom pins and master pins are nickel silver

Warranty:

- ASSA warrants its cylinders against defective workmanship or wear resulting from defects for one year

Certification:

- Only ASSA format Interchangeable core cylinders are listed under U.L. 437

Finishes IC Mortise Cylinder Housings Only:

BHMA Symbol	U.S. Symbol	Description
625	US 26	Bright Chrome
626	US 26D	Satin Chrome
605	US 3	Bright Brass
606	US 4	Satin Brass
612	US 10	Satin Bronze
624	US 10B	Dark Oxidized Bronze

Note: Plug and IC Shells available in 626 and 606 finishes only.

General Info.

Electronic Access Control

Keys & Keying

Mortise Cyls.

Rim Cyls.

Mogul Cyls.

IC Core Cyls.

KIK/KIL Cyls.

Deadbolts

Auxiliary Locks

Padlocks

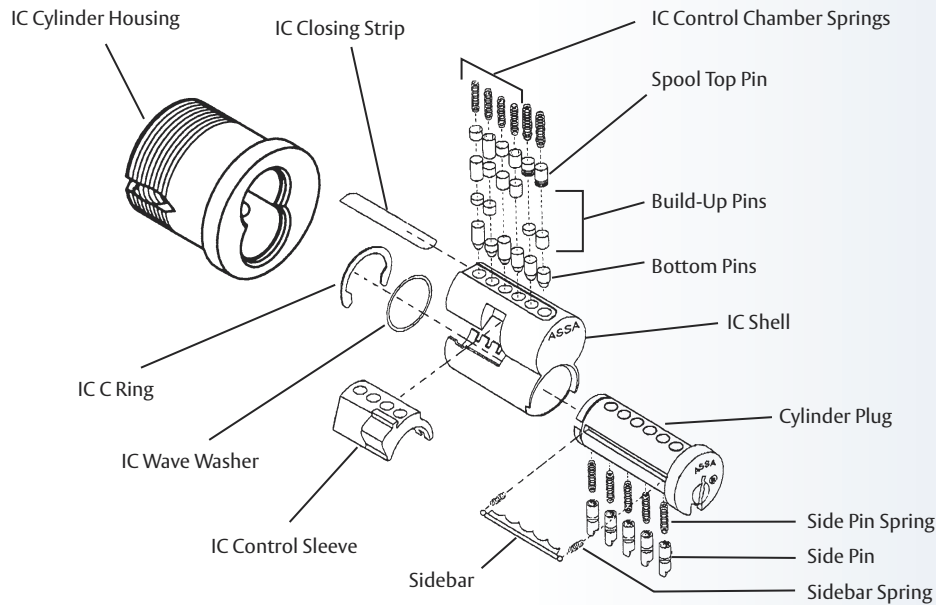
Profile Cyls.

Pin Kits Tools & Accessories

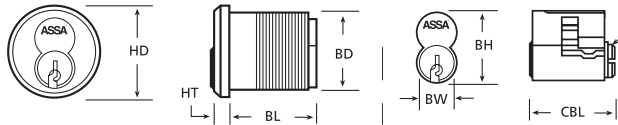
Care & Maint.

Technical Specs.

Mortise and Rim IC Cylinders Exploded View



Mortise and Rim IC Cylinders



Mortise Cylinder Key:

- HD – Head Diameter
- HT – Head Thickness
- BL – Body Length (Includes Cam)
- BD – Body Diameter
- BH – Body Height
- BW – Body Width
- CBL – IC Core Body Length
- R – Retainer

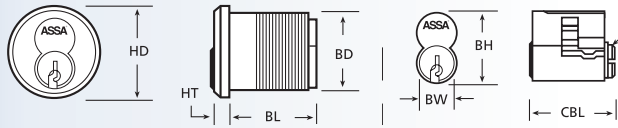
Model#	Cam or Tailpiece (Specify)	Notes	Description	HD	HT	BL	BD	BH	BW	CBL	R
Maximum+ Mortise and Rim IC Cylinders											
9852IC	Cam		1-1/4" IC Mortise Cylinder	1.366"	0.175"	1.125"	1.157"	1.055"	0.655"	1.247"	0.036"
9852IC	H, V or L		1-1/4" IC Rim Cylinder								
7951IC	Cam		1-1/4" Corbin Jumbo IC Mortise Cylinder	1.643"							
7951IC	H, V or L		1-1/4" Corbin Jumbo IC Rim Cylinder								
Interchangeable Cores Only											
98600IC			ASSA IC 6 Pin Core Only	N/A	N/A	N/A	N/A	1.055"	0.655"	1.247"	0.036"
99060IC		†	Sargent IC 6 Pin Core Only					N/A	N/A	1.247"	
91060IC			Schlage IC 6 Pin Core Only					1.045"	0.628"	1.450"	
98060IC			Yale Style IC 6 Pin Core Only					1.045"	0.671"	1.415"	
95060IC		▲	Corbin Russwin Style IC 6 Pin Core Only					N/A	N/A	N/A	
Maximum+ Restricted Mortise and Rim IC Cylinders											
R2852IC	Cam		1-1/4" IC Mortise Cylinder	1.366"	0.175"	1.125"	1.157"	1.055"	0.655"	1.247"	0.036"
R2852IC	H, V or L		1-1/4" IC Rim Cylinder								
Interchangeable Cores Only											
R28600IC			ASSA IC 6 Pin Core Only	N/A	N/A	N/A	N/A	1.055"	0.655"	1.247"	0.036"
R28060IC			Yale Style IC 6 Pin Core Only					1.045"	0.671"	1.415"	

Notes: For temporary cores refer to Red Core on page 5.

† This cylinder requires part # SGTRCTOOL for mortise and rim cylinders. See Page 82.

▲ This cylinder requires part # CRRCTOOL for mortise and rim cylinders. See Page 82.

CLIQ – Twin Maximum available with CLIQ™ Technology. Example: 8852IC-1 x CLIQ x 626 x Sidebar x Comp.



Mortise Cylinder Key:

HD – Head Diameter
 HT – Head Thickness
 BL – Body Length
 (Includes Cam)

BD – Body Diameter CBL – IC Core Body Length
 BH – Body Height R – Retainer
 BW – Body Width

Model#	Cam or Tailpiece (Specify)	Notes	Description	HD	HT	BL	BD	BH	BW	CBL	R
Twin Maximum Mortise and Rim IC Cylinders											
8852IC	Cam	CLIQ	1-1/4" IC Mortise Cylinder	1.366"	0.175"	1.125"	1.157"	1.055"	0.655"	1.247"	0.036"
8852IC	H, V or L	CLIQ	1-1/4" IC Rim Cylinder								
7851IC	Cam	CLIQ	1-1/4" Corbin Jumbo IC Mortise Cylinder	1.643"							
7851IC	H, V or L	CLIQ	1-1/4" Corbin Jumbo IC Rim Cylinder								
Interchangeable Cores Only											
88600IC		CLIQ	ASSA IC 6 Pin Core Only	N/A	N/A	N/A	N/A	1.055"	0.655"	1.247"	0.036"
89060IC		† CLIQ	Sargent IC 6 Pin Core Only					N/A	N/A	1.247"	
81060IC		CLIQ	Schlage IC 6 Pin Core Only					1.045"	0.628"	1.450"	
88060IC		CLIQ	Yale Style IC 6 Pin Core Only					1.045"	0.671"	1.415"	
85060IC		▲	Corbin Russwin Style IC 6 Pin Core Only					N/A	N/A	N/A	
Twin Exclusive Mortise and Rim IC Cylinders											
E6552IC	Cam		1-1/4" IC Mortise Cylinder	1.366"	0.175"	1.125"	1.157"	1.055"	0.655"	1.247"	0.036"
E6552IC	H, V or L		1-1/4" IC Rim Cylinder								
E7551IC	Cam		1-1/4" Corbin Jumbo IC Mortise Cylinder								
E7551IC	H, V or L		1-1/4" Corbin Jumbo IC Rim Cylinder								
Interchangeable Cores Only											
E70600IC			ASSA IC 6 Pin Core Only	N/A	N/A	N/A	N/A	1.055"	0.655"	1.247"	0.036"
E90600IC		†	Sargent IC 6 Pin Core Only					N/A	N/A	1.247"	
E10600IC			Schlage IC 6 Pin Core Only					1.045"	0.628"	1.450"	
E80600IC			Yale Style IC 6 Pin Core Only					1.045"	0.671"	1.415"	

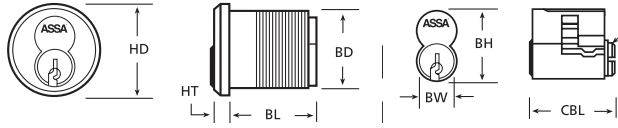
Notes: For temporary cores refer to Red Core on page 5.

† This cylinder requires part # SGTRCTOOL for mortise cylinders. See Page 82.

▲ This cylinder part # CRRCTOOL for mortise cylinders. See Page 82.

CLIQ – Twin Maximum available with CLIQ™ Technology. Example: 8852IC-1 x CLIQ x 626 x Sidebar x Comp.

- General Info.
- Electronic Access Control
- Keys & Keying
- Mortise Cyls.
- Rim Cyls.
- Mogul Cyls.
- IC Core Cyls.
- KIK/KIL Cyls.
- Deadbolts
- Auxiliary Locks
- Padlocks
- Profile Cyls.
- Pin Kits Tools & Accessories
- Care & Maint.
- Technical Specs.



Mortise Cylinder Key:

HD – Head Diameter
 HT – Head Thickness
 BL – Body Length
 (Includes Cam)

BD – Body Diameter CBL – IC Core Body Length
 BH – Body Height R – Retainer
 BW – Body Width

Model#	Cam or Tailpiece (Specify)	Notes	Description	HD	HT	BL	BD	BH	BW	CBL	R
Twin 6000 Classic Mortise and Rim IC Cylinders											
6552IC	Cam		1-1/4" IC Mortise Cylinder	1.366"	0.175"	1.125"	1.157"	1.055"	0.655"	1.247"	0.036"
6552IC	H, V or L		1-1/4" IC Rim Cylinder								
7551IC	Cam		1-1/4" Corbin Jumbo IC Mortise Cylinder								
7551IC	H, V or L		1-1/4" Corbin Jumbo IC Rim Cylinder								
Interchangeable Cores Only											
70600IC			ASSA IC 6 Pin Core Only	N/A	N/A	N/A	N/A	1.055"	0.655"	1.247"	0.036"
80600IC			Yale Style IC 6 Pin Core Only					1.045"	0.671"	1.415"	
Twin V-10 Mortise and Rim IC Cylinders											
V6552IC	Cam		1-1/4" IC Mortise Cylinder	1.366"	0.175"	1.125"	1.157"	1.055"	0.655"	1.247"	0.036"
V6552IC	H, V or L		1-1/4" IC Rim Cylinder								
V7551IC	Cam		1-1/4" Corbin Jumbo IC Mortise Cylinder								
V7551IC	H, V or L		1-1/4" Corbin Jumbo IC Rim Cylinder								
Interchangeable Cores Only											
V70600IC			ASSA IC 6 Pin Core Only	N/A	N/A	N/A	N/A	1.055"	0.655"	1.247"	0.036"
V90600IC	†		Sargent IC 6 Pin Core Only					N/A	N/A	1.247"	
V10600IC			Schlage IC 6 Pin Core Only					1.045"	0.628"	1.450"	
V80600IC			Yale Style IC 6 Pin Core Only					1.045"	0.671"	1.415"	
Twin Pro Mortise and Rim IC Cylinders											
6152IC	Cam		1-1/4" IC Mortise Cylinder	1.366"	0.175"	1.125"	1.157"	1.055"	0.655"	1.247"	0.036"
6152IC	H, V or L		1-1/4" IC Rim Cylinder								
7152IC	Cam		1-1/4" Corbin Jumbo IC Mortise Cylinder								
7152IC	H, V or L		1-1/4" Corbin Jumbo IC Rim Cylinder								
Interchangeable Cores Only											
61600IC			ASSA IC 6 Pin Core Only	N/A	N/A	N/A	N/A	1.055"	0.655"	1.247"	0.036"
69060IC	†		Sargent IC 6 Pin Core Only					N/A	N/A	N/A	N/A
61060IC			Schlage IC 6 Pin Core Only					1.055"	0.655"	1.247"	0.036"
68060IC			Yale Style IC 6 Pin Core Only								
1-1/4" Temporary Interchangeable Red Core Mortise/Rim Cylinder											
6552ICR	Cam	*	1-1/4" IC Mortise Cylinder	1.366"	0.175"	1.125"	1.157"				
6552ICR	H, V or L	*	1-1/4" IC Rim Cylinder	1.366"	0.175"	1.125"	1.157"	-	-	-	-
70600ICR			Temp. Const. Core (Red Core)	1.055"	0.655"	1.247"	0.036"				
Interchangeable Core Housings											
60601	Cam	*	IC Housing	1.366"	0.175"	1.125"	1.157"	-	-	-	-
60601	H, V or L	*	IC Housing								
60606	Cam	*	1-3/4" IC Housing								
80601		*	1-1/2" Mogul IC Housing								

For temporary cores refer to Red Core on page 5.

† This cylinder requires Sargent tailpiece kit part # 867454 for cylindrical locks or part # SGTRCTOOL for mortise cylinders. See Pages 81 & 82.

* – Indicates Finished Components.