

ASSA Key in Knob/Key in Lever cylinders are designed to replace many original manufacturers' cylinders in their locksets including Arrow, Corbin/Russwin, Falcon, Sargent, Schlage, Yale and many other manufacturers thus offering the highest level of security available on the market today.



### Benefits:

- Two independent locking mechanisms to ensure security and optimum pick resistance
- Inactive "false" gates in side pins designed to increase pick resistance
- Counter mill in each chamber position to further enhance pick resistance
- Extremely close tolerances
- Can be easily rekeyed in the field
- Patented key control

### Finishes:

BHMA Symbol	U.S. Symbol	Description
626	US 26D	Satin Chrome
606	US 4	Satin Brass

### Warranty:

- ASSA warrants its cylinders against defective workmanship or wear resulting from defects for one year

### Certification:

- All ASSA Key-in-Knob/Lever cylinders are U.L. 437 listed

### Technical Information:

- Available in 15 different retrofit assemblies
- Cylinder shell and plug made of high quality brass
- Stainless steel top pins
- Bottom pins and master pins are nickel silver

General Info.

Electronic Access Control

Keys & Keying

Mortise Cyls.

Rim Cyls.

Mogul Cyls.

IC Core Cyls.

KIK/KIL Cyls.

Deadbolts

Auxiliary Locks

Padlocks

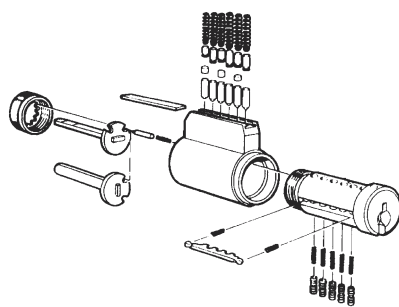
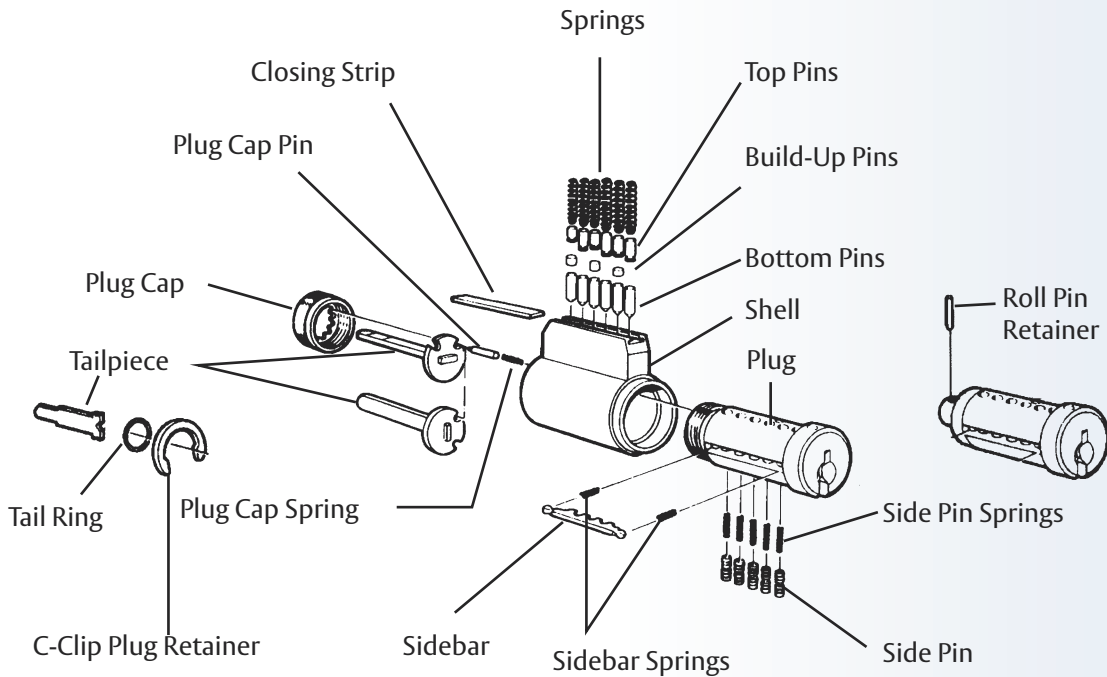
Profile Cyls.

Pin Kits Tools & Accessories

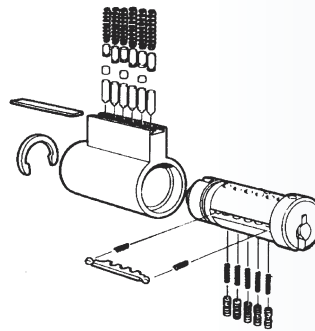
Care & Maint.

Technical Specs.

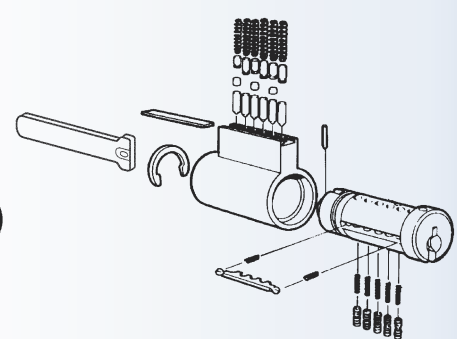
### Key-in-Knob/Levers Cylinders Exploded View



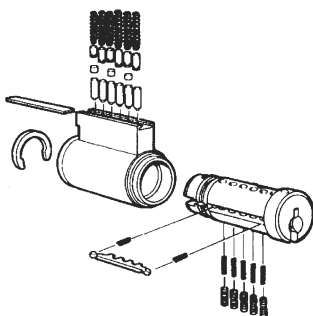
XX611 - Schlage



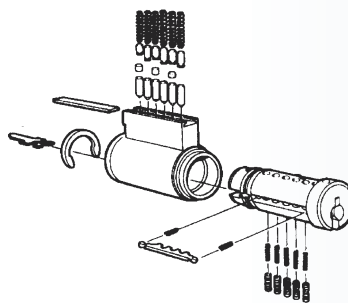
XX631 - Yale



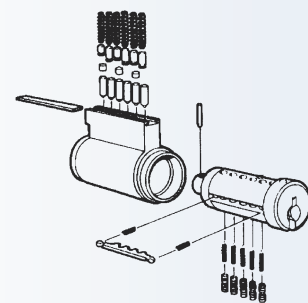
XX632 - Yale



XX651 - Corbin/Russwin

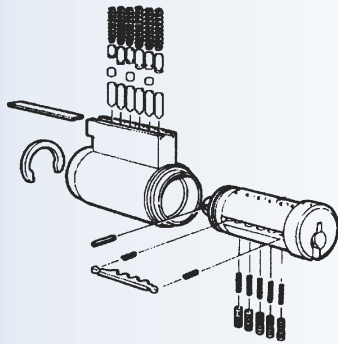


XX652 - Corbin/Russwin

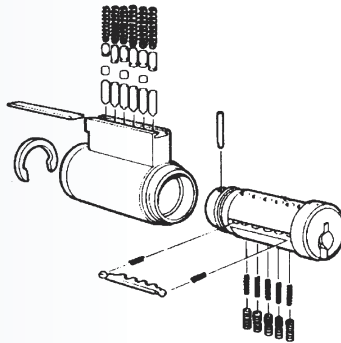


XX653 - Corbin/Russwin

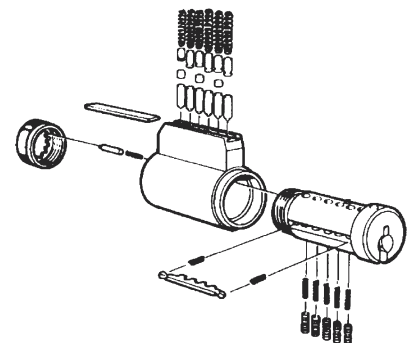
### Key-in-Knob/Levers Cylinders Exploded View



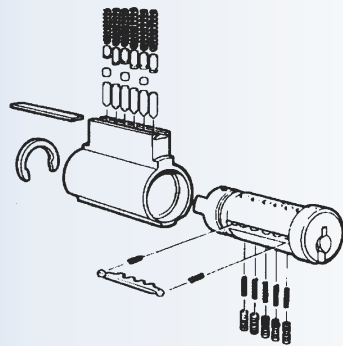
XX654 – Corbin/Ruswin



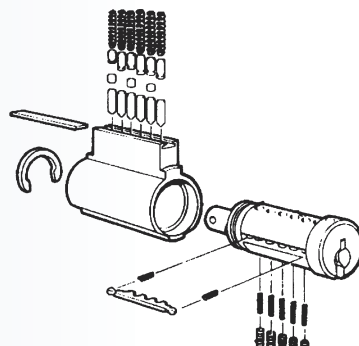
XX655 – Corbin/Ruswin



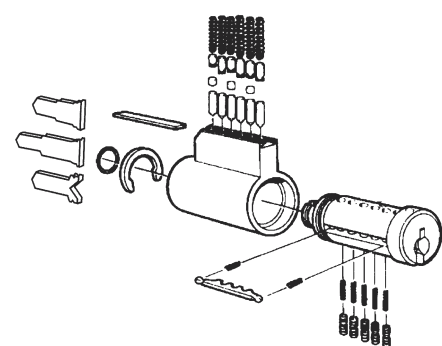
XX661 – Falcon



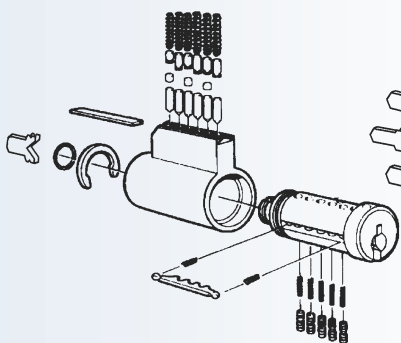
XX671 – Sargent



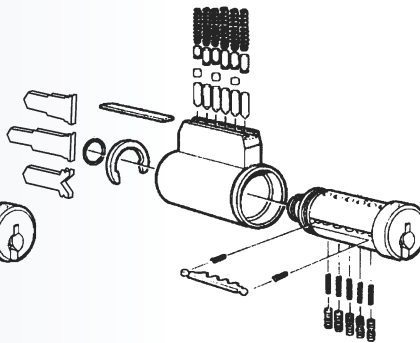
XX672 – Sargent



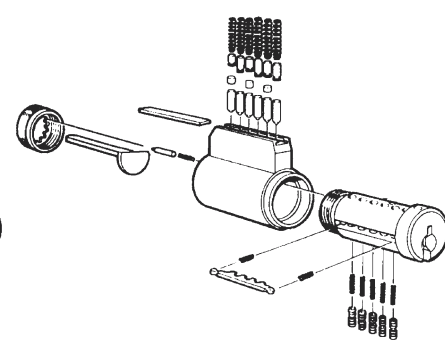
XX673 – Sargent



XX673-TZ – Sargent



XX691 – Arrow



XX692 – Arrow

General Info.

Electronic Access Control

Keys & Keying

Mortise Cyls.

Rim Cyls.

Mogul Cyls.

IC Core Cyls.

KIK/KIL Cyls.

Deadbolts

Auxiliary Locks

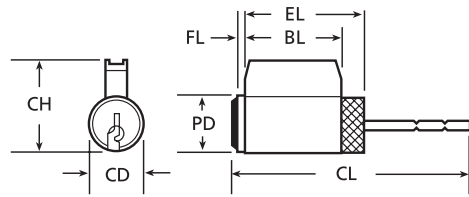
Padlocks

Profile Cyls.

Pin Kits Tools & Accessories

Care & Maint.

Technical Specs.



### Key-in-Knob/Lever Key:

**BL** – Bible Length

**CD** – Cylinder Diameter

**CH** – Cylinder Height

**CL** – Cylinder Length

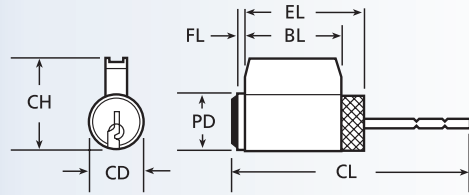
**EL** – Effective Length

**FL** – Front Length

**PD** – Plug Face Diameter

Make	Model #	Description	BL	CD	CH	CL	EL	FL	PD
Schlage	Maximum+	98611	1.023	0.634	1.020	2.465	1.250	0.071	0.560
	Maximum+ Restricted	R28611							
	Twin Maximum	88611							
	Twin Exclusive	E65611							
	Twin 6000 Classic	65611							
	Twin V-10	V65611							
	Twin Pro	61611							
	Twin Low	L6611							
	Twin 600 Classic	6611							
	Standard and heavy-duty 6-pin, includes cap, pin, spring and break-off tailpiece. For B series Deadbolts Corbin/Ruswin CL3300, CL3400, CL3600, CL3700, CK4700, CL3900 (Must use original manufacturer's tailpiece and stabilizing sleeve). CK4400 for all functions except 29, 55, & 82. Also use for A5 & N5 exit trim.								
Yale	Maximum+	98631	1.000	0.677	1.071	N/A	1.429	0.000	0.560
	Twin Maximum	88631							
	Twin Exclusive	E65631							
	Twin 6000 Classic	65631							
	Twin V-10	V65631							
	Twin Pro	61631							
	Twin Low	L6631							
Twin 600 Classic	6631								
Standard and heavy-duty									
Yale	Maximum+	98632	1.000	0.677	1.071	2.975	1.429	0.000	0.560
	Twin Maximum	88632							
	Twin Exclusive	E65632							
	Twin 6000 Classic	65632							
	Twin V-10	V65632							
	Twin Pro	61632							
	Twin Low	L6632							
Twin 600 Classic	6632								
Key-In-Lever style									
Corbin/Ruswin	Maximum+	98651	1.038	0.677	1.071	N/A	1.453	0.135	0.560
	Twin Maximum	88651							
	Twin Exclusive	E65651							
	Twin 6000 Classic	65651							
	Twin V-10	V65651							
	Twin Pro	61651							
	Twin Low	L6651							
Twin 600 Classic	6651								
Heavy-duty, new style (Not 3400, 3600, 3800 series) Use for CK4200, & UT5200									
Corbin/Ruswin	Maximum+	98652	1.038	0.677	1.071	2.165	1.453	0.135	0.560
	Twin Maximum	88652							
	Twin Exclusive	E65652							
	Twin 6000 Classic	65652							
	Twin V-10	V65652							
	Twin Pro	61652							
	Twin Low	L6652							
Twin 600 Classic	6652								
Standard-duty, new style tailpiece included. For CK4300, 5600, & B2, G2, G3 exit trim									

 – Twin Maximum available with CLIQ™ Technology. Example: 88611 x CLIQ x 626 x Sidebar x Comp



### Key-in-Knob/Lever Key:

**BL** – Bible Length

**CD** – Cylinder Diameter



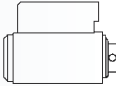

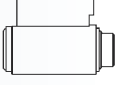


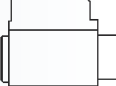

**CH** – Cylinder Height


**CL** – Cylinder Length

**EL** – Effective Length

**FL** – Front Length

**PD** – Plug Face Diameter

Make	Model #	Description	BL	CD	CH	CL	EL	FL	PD
<b>Corbin/Russwin</b>			1.038	0.677	1.071	N/A	1.275	0.135	0.560
Maximum+	98653								
Twin Maximum 	88653								
Twin Exclusive	E65653								
Twin 6000 Classic	65653								
Twin V-10	V65653								
Twin Pro	61653								
Twin Low	L6653								
Twin 600 Classic	6653								
<b>Corbin/Russwin</b>			1.038	0.677	1.071	N/A	1.299	0.135	0.560
Maximum+	98654								
Twin Maximum 	88654								
Twin Exclusive	E65654								
Twin 6000 Classic	65654								
Twin V-10	V65654								
Twin Pro	61654								
Twin Low	L6654								
Twin 600 Classic	6654								
<b>Corbin/Russwin</b>			1.038	0.677	1.071	N/A	1.305	0.135	0.560
Maximum+	98655								
Twin Maximum 	88655								
Twin Exclusive	E65655								
Twin 6000 Classic	65655								
Twin V-10	V65655								
Twin Pro	61655								
Twin Low	L6655								
Twin 600 Classic	6655								
<b>Falcon</b>			1.022	0.634	1.020	N/A	1.325	0.071	0.560
Twin Exclusive	E65661								
Twin 6000 Classic	65661								
Twin V-10	V65661								
Twin Pro	61661								
Twin Low	L6661								
Twin 600 Classic	6661								
		S & X Series, Use original manufacturer cap and tailpiece							
<b>Sargent</b>			1.025	0.677	1.071	N/A	1.447	0.000	0.560
Maximum+	98671								
Twin Maximum 	88671								
Twin Exclusive	E65671								
Twin 6000 Classic	65671								
Twin V-10	V65671								
Twin Pro	61671								
Twin Low	L6671								
Twin 600 Classic	6671								

 – Twin Maximum available with CLIQ™ Technology. Example: 88611 x CLIQ x 626 x Sidebar x Comp

General Info.

Electronic Access Control

Keys & Keying

Mortise Cyls.

Rim Cyls.

Mogul Cyls.

IC Core Cyls.

KIK/KIL Cyls.

Deadbolts

Auxiliary Locks

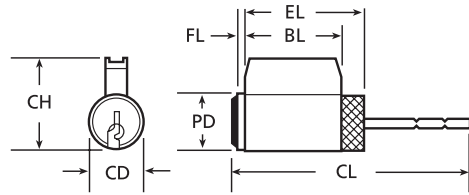
Padlocks

Profile Cyls.

Pin Kits Tools & Accessories

Care & Maint.

Technical Specs.



### Key-in-Knob/Lever Key:

**BL** – Bible Length

**CD** – Cylinder Diameter

**CH** – Cylinder Height

**CL** – Cylinder Length

**EL** – Effective Length

**FL** – Front Length

**PD** – Plug Face Diameter

Make	Model #	Description	BL	CD	CH	CL	EL	FL	PD
Sargent	Maximum+	98672	1.010	0.677	1.071	N/A	1.663	0.020	0.560
	Maximum+ Restricted	R28672							
	Twin Maximum	88672							
	Twin Exclusive	E65672							
	Twin 6000 Classic	65672							
	Twin V-10	V65672							
	Twin Pro	61672							
Mortise Cyls.	Twin Low	L6672							
	Twin 600 Classic	6672							
			Heavy-duty 7, 8, 9 lines KIK						
Sargent	Maximum+	98673	0.990	0.634	1.020	2.000	1.235	0.000	0.560
	Maximum+ Restricted	R28673				2.040			
	Twin Maximum	88673				2.315			
	Twin Exclusive	E65673							
	Twin 6000 Classic	65673							
	Twin V-10	V65673							
	Twin Pro	61673							
IC Core Cyls.	Twin Low	L6673							
	Twin 600 Classic	6673							
			Standard duty 3 tailpieces included 6 Line KIK, 7 Line KIL, 10 Line KIL						
Sargent T-Zone	Maximum+	98673-TZ	0.990	0.634	1.020	1.720	1.235	0.000	0.560
	Maximum+ Restricted	R28673-TZ							
	Twin Maximum	88673-TZ							
	Twin Exclusive	E65673-TZ							
	Twin 6000 Classic	65673-TZ							
	Twin V-10	V65673-TZ							
	Twin Pro	61673-TZ							
Deadbolts	Twin Low	L6673-TZ							
	Twin 600 Classic	6673-TZ							
			T-Zone 11 Line KIL						
Arrow	Maximum+	98691	1.022	0.634	1.020	2.000	1.268	0.070	0.560
	Maximum+ Restricted	R28691				2.040			
	Twin Maximum	88691				2.315			
	Twin Exclusive	E65691							
	Twin 6000 Classic	65691							
	Twin V-10	V65691							
	Twin Pro	61691							
Padlocks	Twin Low	L6691							
	Twin 600 Classic	6691							
			Standard and heavy-duty, 3 tailpiece included for Arrow C, H, L, M, Q, S & W Series Key-in-Knob & Key-in-Lever styles						
Arrow	Maximum+	98692	1.022	0.634	1.020	2.085	1.352	0.000	0.560
	Twin Maximum	88692				2.340			
	Twin Exclusive	E65692				3.465			
	Twin 6000 Classic	65692							
	Twin V-10	V65692							
	Twin Pro	61692							
	Twin Low	L6692							
Care & Maint.	Twin 600 Classic	6692							
			For Arrow deadbolts only, includes tailpieces for double & single cylinders						

– Twin Maximum available with CLIQ™ Technology. Example: 88611 x CLIQ x 626 x Sidebar x Comp

### Maximum+ / Twin Maximum / Twin Pro

Model#	Notes	Description
868056		Schlage Cylinder Shell
868057		Yale Cylinder Shell
367156		Russwin/Corbin Cylinder Shell
868060		Sargent Integra Cylinder Shell
868061		Sargent Heavy-duty Cylinder Shell
367159		Sargent Standard-duty Cylinder Shell
250619		Arrow Cylinder Shell
907203		Arrow Deadbolt/Weiser KIK Shell
356982	*†	Schlage Cylinder Plug
356983	*†	Yale Cylinder Plug – (Must specify KIK or KIL)
356988	*†	Sargent Integra Cylinder Plug
356989	*†	Sargent Heavy-Duty 7, 8, 9 Cylinder Plug
356990	*†	Arrow/Sargent 6-line Cylinder Plug
356984	*†	Russwin/Corbin std. & Heavy-Duty Cylinder Plug
356985	*†	Russwin/Corbin 19F35 Cylinder Plug
356986	*†	Corbin 25F26 Cylinder Plug
356987	*†	Russwin/Corbin 25F65 Cylinder Plug
92C-114		Arrow Deadbolt Cap
92C-127		Arrow Deadbolt Plug Cap Spring
92C-128		Arrow Deadbolt Plug Cap Pin
92C-121		Arrow Deadbolt Washer
92C-123		Arrow Deadbolt Blocking Piece
D61-44		Arrow Deadbolt Long Tailpiece (Single Cylinder)
D62-44		Arrow Deadbolt Short Tailpiece (Double Cylinder)

\* - Indicates Finished Components

† - Specify Profile.

### Twin Exclusive / Twin 6000 Classic

Model#	Notes	Description
868056		Schlage Cylinder Shell
868057		Yale Cylinder Shell
367156		Russwin/Corbin Cylinder Shell
868060		Sargent Integra Cylinder Shell
868061		Sargent Heavy-duty Cylinder Shell
367159		Sargent Standard-duty Cylinder Shell
250619		Arrow Cylinder Shell
907203		Arrow Deadbolt/Weiser KIK Shell
367068	*†	Schlage Cylinder Plug
367069	*†	Yale Cylinder Plug – (Must specify KIK or KIL)
367073	*†	Sargent Integra Cylinder Plug
367074	*†	Sargent Heavy-Duty 7, 8, 9 Cylinder Plug
868233	†	Falcon S & X Series/Weiser Deadbolt Plug
868607	*†	Arrow/Sargent 6-line Cylinder Plug
868649	*†	Russwin/Corbin std. & Heavy-Duty Cylinder Plug
868650	*†	Russwin/Corbin 19F35 Cylinder Plug
868651	*†	Corbin 25F26 Cylinder Plug
868652	*†	Russwin/Corbin 25F65 Cylinder Plug
467068	*†	Arrow Deadbolt Plug
92C-114		Arrow Deadbolt Cap
92C-127		Arrow Deadbolt Plug Cap Spring
92C-128		Arrow Deadbolt Plug Cap Pin
92C-121		Arrow Deadbolt Washer
92C-123		Arrow Deadbolt Blocking Piece
D61-44		Arrow Deadbolt Long Tailpiece (Single Cylinder)
D62-44		Arrow Deadbolt Short Tailpiece (Double Cylinder)

\* - Indicates Finished Components

† - Specify Profile.

### Twin V-10

Model#	Notes	Description
868056		Schlage Cylinder Shell
868057		Yale Cylinder Shell
367156		Russwin/Corbin Cylinder Shell
868060		Sargent Integra Cylinder Shell
868061		Sargent Heavy-duty Cylinder Shell
367159		Sargent Standard-duty Cylinder Shell
250619		Arrow Cylinder Shell
907203		Arrow Deadbolt/Weiser KIK Shell
353978	*	Schlage Cylinder Plug
353979	*	Yale Cylinder Plug – (Must specify KIK or KIL)
353980	*	Sargent Integra Cylinder Plug
353981	*	Sargent Heavy-Duty 7, 8, 9 Cylinder Plug
353982	*	Falcon S & X Series/Weiser Deadbolt Plug
353983	*	Arrow/Sargent 6-line Cylinder Plug
353984	*	Russwin/Corbin std. & Heavy-Duty Cylinder Plug
353985	*	Russwin/Corbin 19F35 Cylinder Plug
353986	*	Corbin 25F26 Cylinder Plug
353787	*	Russwin/Corbin 25F65 Cylinder Plug
453978	*	Arrow Deadbolt Plug
92C-114		Arrow Deadbolt Cap
92C-127		Arrow Deadbolt Plug Cap Spring
92C-128		Arrow Deadbolt Plug Cap Pin
92C-121		Arrow Deadbolt Washer
92C-123		Arrow Deadbolt Blocking Piece
D61-44		Arrow Deadbolt Long Tailpiece (Single Cylinder)
D62-44		Arrow Deadbolt Short Tailpiece (Double Cylinder)

\* - Indicates Finished Components

General Info.

Electronic Access Control

Keys & Keying

Mortise Cyls.

Rim Cyls.

Mogul Cyls.

IC Core Cyls.

KIK/KIL Cyls.

Deadbolts

Auxiliary Locks

Padlocks

Profile Cyls.

Pin Kits Tools & Accessories

Care & Maint.

Technical Specs.