

ASSA Mogul cylinders are designed to provide the maximum level of security and durability. Available for Folger Adam, AirTeq/Norment, R.R. Brink, Sargent, and Southern Steel detention locksets, the ASSA Mogul is the smart choice for today's corrections industry. A hardened cover plate and hardened steel inserts in the cylinder shell provide protection against even the most savage and determined forms of physical attack.



Benefits:

- Hardened plug cover plate to prevent drill attack
- Case-hardened steel inserts and stainless steel pins
- Two independent locking mechanisms to ensure security and optimum pick resistance
- Inactive "false" grooves on side pins designed to enhance pick resistance
- Counter mill in each chamber position to further enhance pick resistance
- Extremely close tolerances
- Can be easily rekeyed in the field

Warranty:

- ASSA warrants its cylinders against defective workmanship or wear resulting from defects for one year

Certification:

- All ASSA Twin Series Mogul cylinders are U.L. 437 listed as well as ASTM F 1577 6.6 Certified for standard test methods for Detention Locks

Technical Information:

- Available in 1-1/8" and 1-1/2" lengths
- Available with limited rotation and/or unidirectional features
- Cylinder housing and plug are made of high quality brass
- Stainless steel top pins
- Bottom pins and master pins are nickel silver

Finishes:

BHMA Symbol	U.S. Symbol	Description
626	US 26D	Satin Chrome
606	US 4	Satin Brass

General Info.

Electronic Access Control

Keys & Keying

Mortise Cyls.

Rim Cyls.

Mogul Cyls.

IC Core Cyls.

KIK/KIL Cyls.

Deadbolts

Auxiliary Locks

Padlocks

Profile Cyls.

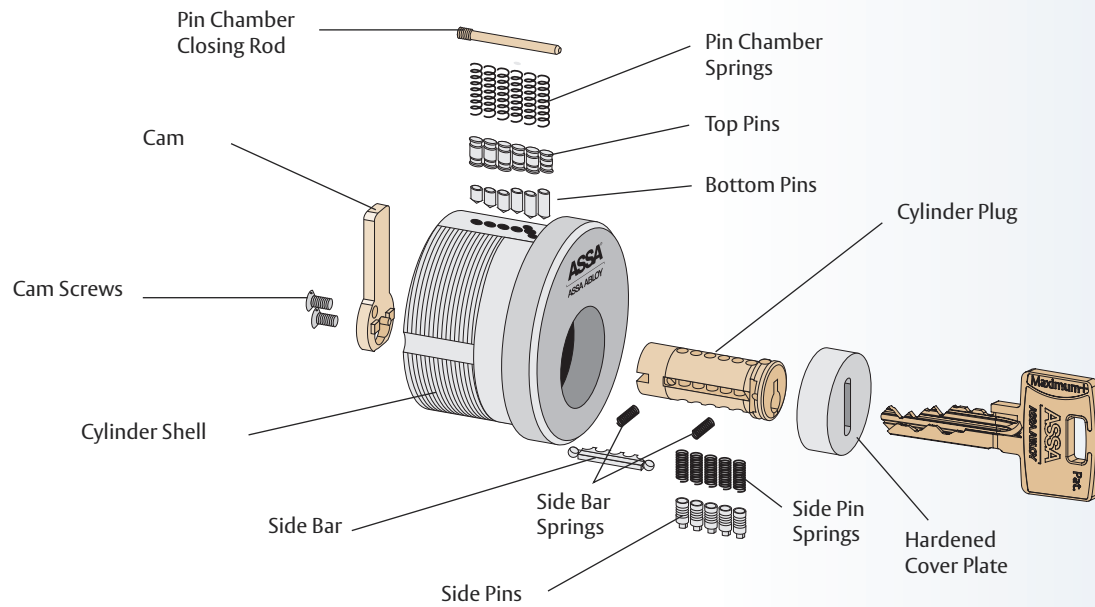
Pin Kits Tools & Accessories

Care & Maint.

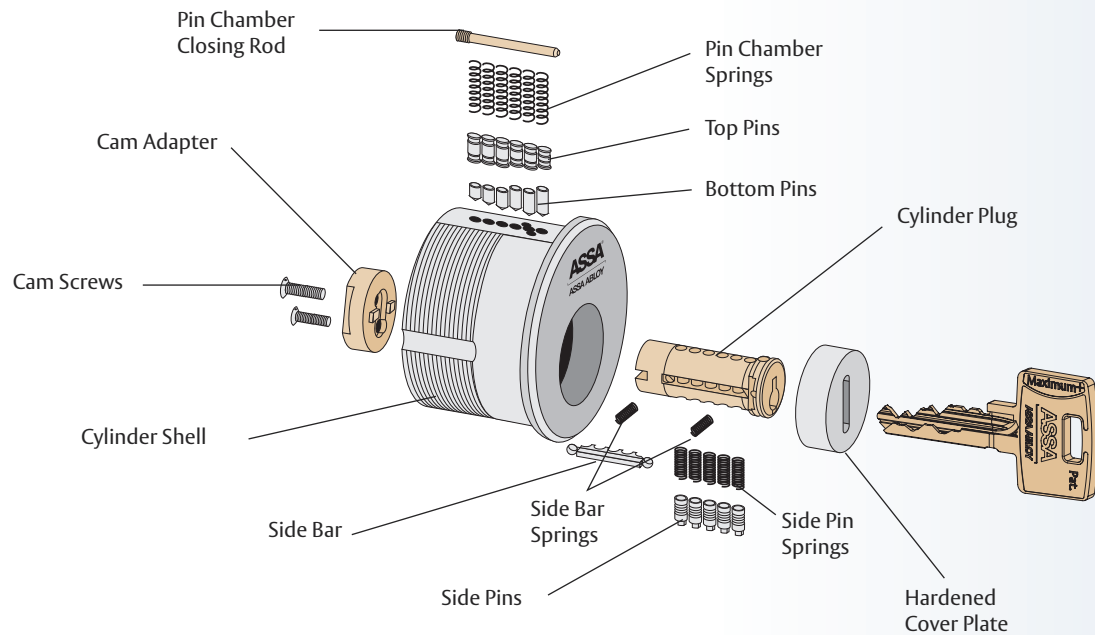
Technical Specs.

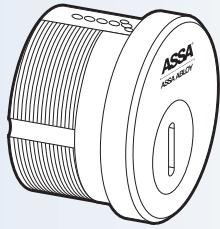
High Security Mogul Cylinders Exploded View

1-1/8" Mogul Cylinder

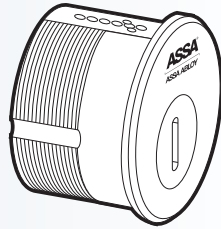


1-1/2" Mogul Cylinder

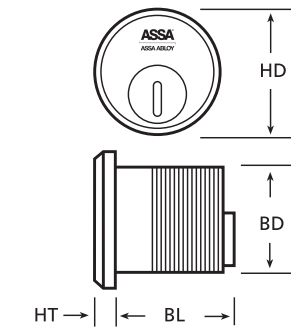
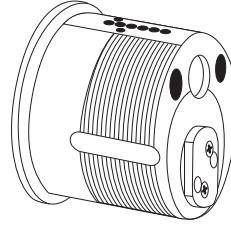




1-1/8" Mogul Cylinder
AirTeq/Norment
R.R. Brink



1-1/2" Mogul Cylinder
Southern Steel
Folger Adam
AirTeq/Norment

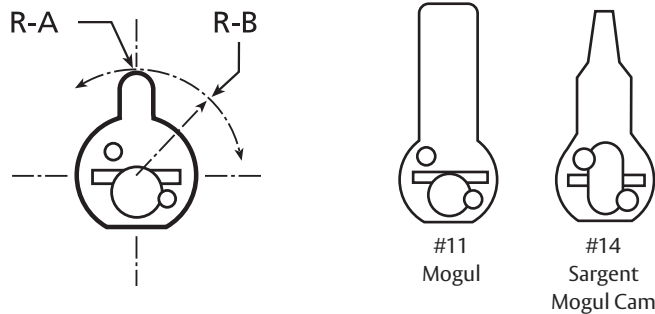


Mogul Cylinder Key:

- HD – Head Diameter
- HT – Head Thickness
- BL – Body Length (Includes Cam)
- BD – Body Diameter

Model#/Cam	Notes	Size	Description	HD	HT	BL	BD
Twin Maximum Mogul Cylinders							
M8551-11	†	1-1/8"	AirTeq/Norment Cylinder with Mogul Cam	2.245"	0.340"	1.260"	2.0"
M8551-14	†	1-1/8"	AirTeq/Norment Cylinder with Sargent Mogul Cam		0.120"	1.590"	
M8551SS	†	1-1/2"	Southern Steel Cylinder without Cam				
Twin Exclusive Mogul Cylinders							
E8551-11	†	1-1/8"	AirTeq/Norment Cylinder with Mogul Cam	2.245"	0.340"	1.260"	2.0"
E8551-14	†	1-1/8"	AirTeq/Norment Cylinder with Sargent Mogul Cam		0.120"	1.590"	
E8551SS	†	1-1/2"	Southern Steel Cylinder without Cam				
Twin V-10 Mogul Cylinders							
V8551-11	†	1-1/8"	AirTeq/Norment Cylinder with Mogul Cam	2.245"	0.340"	1.260"	2.0"
V8551-14	†	1-1/8"	AirTeq/Norment Cylinder with Sargent Mogul Cam		0.120"	1.590"	
V8551SS	†	1-1/2"	Southern Steel Cylinder without Cam				
Twin 6000 Classic Mogul Cylinders							
8551-11	†	1-1/8"	AirTeq/Norment Cylinder with Mogul Cam	2.245"	0.340"	1.260"	2.0"
8551-14	†	1-1/8"	AirTeq/Norment Cylinder with Sargent Mogul Cam		0.120"	1.590"	
8551SS	†	1-1/2"	Southern Steel Cylinder without Cam				

Available Cams for High Security Mogul Cylinders



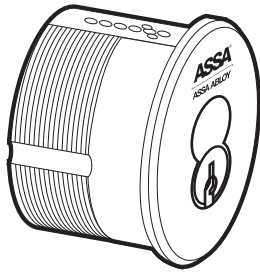
No Cams offered for 1-1/2" Mogul Cylinders.
† Available in special function cylinders, see page 5.

Cam #	Description	RA – Head Radius	RB – Overall Radius
#11	Mogul Cam	N/A	1.165"
#14	Sargent Mogul Cam	N/A	1.043"

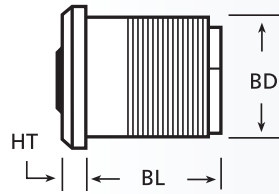
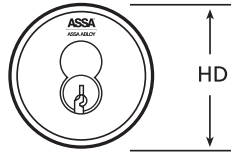
General Info.

Electronic Access Control

Keys & Keying



1-1/2" IC Mogul Cylinder



Mogul Cylinder Key:
HD – Head Diameter
HT – Head Thickness
BL – Body Length (Includes Cam)
BD – Body Diameter

Mortise Cyls.

Rim Cyls.

Mogul Cyls.

IC Core Cyls.

Model#/Cam	Notes	Size	Description	HD	HT	BL	BD
Twin Maximum Interchangeable Core Mogul Cylinders							
M8551SSIC		1-1/2"	Southern Steel IC Cylinder without Cam	2.245"	0.120"	1.590"	2.0"
Twin Exclusive Interchangeable Core Mogul Cylinders							
E8551SSIC		1-1/2"	Southern Steel IC Cylinder without Cam	2.245"	0.120"	1.590"	2.0"
Twin V-10 Interchangeable Core Mogul Cylinders							
V8551SSIC		1-1/2"	Southern Steel IC Cylinder without Cam	2.245"	0.120"	1.590"	2.0"
Twin 6000 Classic Interchangeable Core Mogul Cylinders							
8551SSIC		1-1/2"	Southern Steel IC Cylinder without Cam	2.245"	0.120"	1.590"	2.0"
ASSA 1-1/2" Temporary Interchangeable Red Core Mogul Cylinders							
8551SSICR		1-1/2"	Southern Steel IC Cylinder without Cam	2.245"	0.120"	1.590"	2.0"

High Security Mogul Component Parts

Model#/Cam	Description
354050	Twin Exclusive Plug for 1-1/8" Mogul Cylinder
250893	Twin Exclusive Plug for 1-1/2" Mogul Cylinder
250861	Twin V-10 Plug for 1-1/8" Mogul Cylinder
250894	Twin V-10 Plug for 1-1/2" Mogul Cylinder
360451	Twin Maximum Plug for 1-1/8" Mogul Cylinder
251126	Twin Maximum Plug for 1-1/2" Mogul Cylinder
8551DUM	1-1/8" Mogul Dummy Cylinder
8551SSDUM	1-1/2" Mogul Dummy Cylinder
80601*	1-1/2" Mogul IC Housing
354051*	1-1/8" Mogul Cylinder Housing
357672*	1-1/2" Mogul Cylinder Housing
354993	Cam Adapter for 1-1/2" Cylinder
809339*	Mogul Cylinder Plug Cover Plate
907035	Mogul Chamber Screw Wrench
806974	Closing Rod
812151	Cam Adapter Screws
806346	Pin Chamber Closing Screws (For Mogul Cylinders Produced Before 2002)

* – Indicates Finished Components.

Technical Specs.