

General Info.

Electronic Access Control

Keys & Keying

Mortise Cyls.

Rim Cyls.

Mogul Cyls.

IC Core Cyls.

KIK/KIL Cyls.

Deadbolts

Auxiliary Locks

Padlocks

Profile Cyls.

Pin Kits Tools & Accessories

Care & Maint.

Technical Specs.

ASSA provides all the necessary tools for both the retail and institutional locksmith to service and maintain our locks in the field. We offer several sizes of pinning kits from large, full service kits designed for the shop environment to smaller, convenient kits appropriate for service calls.

Also available are high quality key cutting equipment, all approved ASSA cylinder lubricants.



MPK Master Pin Kit

Item Number	Description	Quantity
353838	Left Side Pin V-10	50
359654	Twin-Max Sidepin Left	
362808	Corbin RC Cover Strip	10
806263	Db Plastic Thumbturn Guide	2
806346	Deadbolt Top Closing Screws	25
807164	V-10/T Pro Spring For Side Bar	100
807165	V-10/T Pro Sidepin Springs	
807401	RC C-Ring	4
807402	RC Cover Slide	15
807403	RC Cam Adapter	2
807404	RC Wave Washer	10
807405	RC Rubber Stop	6
809312	IC Core Plug Spacer Washer	
809314	Master Pin 9, IC Core Cylinders	100
809315	Master Pin 10, IC Core Cylinders	
809316	Master Pin 11, IC Core Cylinders	
809317	Master Pin 12, IC Core Cylinders	
809318	Master Pin 13, IC Core Cylinders	
809319	Master Pin 14, IC Core Cylinders	
809320	Master Pin 15, IC Core Cylinders	
809321	Master Pin 16, IC Core Cylinders	
809322	Master Pin 17, IC Core Cylinders	
809328	Top Pin 2, IC Core Cylinders	
809329	Top Pin 3, IC Core Cylinders	

Continued on next page

MPK Master Pin Kit (Continued)

Item Number	Description	Quantity	
809330	Top Pin 4, IC Core Cylinders	100	
809331	Top Pin 5, IC Core Cylinders		
809332	Top Pin 6, IC Core Cylinders		
809333	Top Pin 7, IC Core Cylinders		
809334	Top Pin 8, IC Core Cylinders		
809335	Top Pin 9, IC Core Cylinders		
809336	Top Pin 10, IC Core Cylinders		
809340	IC Core Chamber Springs (1-4)	50	
816080	Twin-Pro Sidepin		
867015	Side Pin, ASSA Twin	100	
867065	600/Twin Pin Chamber Springs		
807261	Top Pin A, Twin & 600		
807262	Top Pin B, Twin & 600		
807263	Top Pin C, Twin & 600		
807264	Top Pin D, Twin & 600		
867070	Master Pin 1, Twin & 600		
867071	Master Pin 2, Twin & 600		
867072	Master Pin 3, Twin & 600		
867073	Master Pin 4, Twin & 600		
867074	Master Pin 5, Twin & 600		
867075	Master Pin 6, Twin & 600		
867076	Master Pin 7, Twin & 600		
867077	Master Pin 8, Twin & 600		
867078	Bottom Pin 1, Twin & 600		
867079	Bottom Pin 2, Twin & 600		
867080	Bottom Pin 3, Twin & 600		
867081	Bottom Pin 4, Twin & 600		
867082	Bottom Pin 5, Twin & 600		
867083	Bottom Pin 6, Twin & 600		
867084	Bottom Pin 7, Twin & 600		
867085	Bottom Pin 8, Twin & 600		
867086	Bottom Pin 9, Twin & 600		
867087	Twin Spring For Side Pin		
867088	Twin Spring For Side Bar		
867090	Std Tail Piece Screw Twin/600		25
867445	Cam, Adams Rite 600/Twin		2
867446	Cam, Clover Leaf 600/Twin		
867447	Cam, Beaver Tail 600/Twin		
867452	Cam, Sargent 600/Twin		
867453	Cam, Schlage	50	
868141	M/R Cover Strip 600/Twin		
868624	Rollpin Corbin/4—Sargent/2	10	
868958	Schlage Plug Cap	4	
868959	Schl KIK Plug Cap Sprg-Deleted		
868960	Schlage KIK Plug Cap Pin		
872610	Cam, Standard 600/Twin	2	
900257	Yale Tailpiece Roll Pin	10	

- General Info.
- Electronic Access Control
- Keys & Keying
- Mortise Cyls.
- Rim Cyls.
- Mogul Cyls.
- IC Core Cyls.
- KIK/KIL Cyls.
- Deadbolts
- Auxiliary Locks
- Padlocks
- Profile Cyls.
- Pin Kits Tools & Accessories
- Care & Maint.
- Technical Specs.

PK-1 Pin Kit

Item Number	Description	Quantity
353838	Left Side Pin V-10	50
359654	Twin-Max Sidepin Left	
807164	V-10/T Pro Spring For Side Bar	100
807165	V-10/T Pro Sidepin Springs	
816080	Twin-Pro Sidepin	50
867015	Side Pin, ASSA Twin	
867065	600/Twin Pin Chamber Springs	500
807261	Top Pin A, Twin & 600	100
807262	Top Pin B, Twin & 600	
807263	Top Pin C, Twin & 600	
807264	Top Pin D, Twin & 600	
867070	Master Pin 1, Twin & 600	
867071	Master Pin 2, Twin & 600	
867072	Master Pin 3, Twin & 600	
867073	Master Pin 4, Twin & 600	
867074	Master Pin 5, Twin & 600	
867075	Master Pin 6, Twin & 600	
867076	Master Pin 7, Twin & 600	
867077	Master Pin 8, Twin & 600	
867078	Bottom Pin 1, Twin & 600	
867079	Bottom Pin 2, Twin & 600	
867080	Bottom Pin 3, Twin & 600	
867081	Bottom Pin 4, Twin & 600	
867082	Bottom Pin 5, Twin & 600	
867083	Bottom Pin 6, Twin & 600	
867084	Bottom Pin 7, Twin & 600	
867085	Bottom Pin 8, Twin & 600	
867086	Bottom Pin 9, Twin & 600	
867087	Twin Spring For Side Pin	
867088	Twin Spring For Side Bar	
867090	Standard Tail Piece Screw Twin/600	
868141	M/R Cover Strip 600/Twin	

General Info.

Electronic Access Control

Keys & Keying

Mortise Cyls.

Rim Cyls.

Mogul Cyls.

IC Core Cyls.

KIK/KIL Cyls.

Deadbolts

Auxiliary Locks

Padlocks

Profile Cyls.

Pin Kits Tools & Accessories

Care & Maint.

Technical Specs.

PK-IC Interchangeable Core Pin Kit

Item Number	Description	Quantity
362808	Corbin RC Cover Strip	10
807401	RC C-Ring	50
807402	RC Cover Slide	
807405	RC Rubber Stop	
809312	IC Core Plug Spacer Washer	100
809314	Master Pin 9, IC Core Cylinders	
809315	Master Pin 10, IC Core Cylinders	
809316	Master Pin 11, IC Core Cylinders	
809317	Master Pin 12, IC Core Cylinders	
809318	Master Pin 13, IC Core Cylinders	
809319	Master Pin 14, IC Core Cylinders	
809320	Master Pin 15, IC Core Cylinders	
809321	Master Pin 16, IC Core Cylinders	
809322	Master Pin 17, IC Core Cylinders	
809328	Top Pin 2, IC Core Cylinders	
809329	Top Pin 3, IC Core Cylinders	
809330	Top Pin 4, IC Core Cylinders	
809331	Top Pin 5, IC Core Cylinders	
809332	Top Pin 6, IC Core Cylinders	
809333	Top Pin 7, IC Core Cylinders	
809334	Top Pin 8, IC Core Cylinders	
809335	Top Pin 9, IC Core Cylinders	
809336	Top Pin 10, IC Core Cylinders	
809340	IC Core Chamber Springs (1-4)	200

PK-Cam Pin Kit

Item Number	Description	Quantity
807402	RC Cover Slide	50
809328	Top Pin 2, IC Core Cylinders	
809329	Top Pin 3, IC Core Cylinders	
809330	Top Pin 4, IC Core Cylinders	
809331	Top Pin 5, IC Core Cylinders	
809332	Top Pin 6, IC Core Cylinders	
809333	Top Pin 7, IC Core Cylinders	
809334	Top Pin 8, IC Core Cylinders	
809335	Top Pin 9, IC Core Cylinders	
809340	IC Core Chamber Springs (1-4)	

- General Info.
- Electronic Access Control
- Keys & Keying
- Mortise Cyls.
- Rim Cyls.
- Mogul Cyls.
- IC Core Cyls.
- KIK/KIL Cyls.
- Deadbolts
- Auxiliary Locks
- Padlocks
- Profile Cyls.
- Pin Kits Tools & Accessories
- Care & Maint.
- Technical Specs.

PKMM Pin Kit

Item Number	Description	Quantity
807164	V-10/T Pro Spring For Side Bar	25
867065	600/Twin Pin Chamber Springs	
807261	Top Pin A, Twin & 600	
807262	Top Pin B, Twin & 600	
807263	Top Pin C, Twin & 600	
807264	Top Pin D, Twin & 600	
867070	Master Pin 1, Twin & 600	
867071	Master Pin 2, Twin & 600	
867072	Master Pin 3, Twin & 600	
867073	Master Pin 4, Twin & 600	
867074	Master Pin 5, Twin & 600	
867075	Master Pin 6, Twin & 600	
867076	Master Pin 7, Twin & 600	
867077	Master Pin 8, Twin & 600	
867078	Bottom Pin 1, Twin & 600	
867079	Bottom Pin 2, Twin & 600	
867080	Bottom Pin 3, Twin & 600	
867081	Bottom Pin 4, Twin & 600	
867082	Bottom Pin 5, Twin & 600	
867083	Bottom Pin 6, Twin & 600	
867084	Bottom Pin 7, Twin & 600	
867085	Bottom Pin 8, Twin & 600	
867086	Bottom Pin 9, Twin & 600	
867088	Twin Spring For Side Bar	
867090	Std Tail Piece Screw Twin/600	

General Info.

Electronic Access Control

Keys & Keying

Mortise Cyls.

Rim Cyls.

Mogul Cyls.

IC Core Cyls.

KIK/KIL Cyls.

Deadbolts

Auxiliary Locks

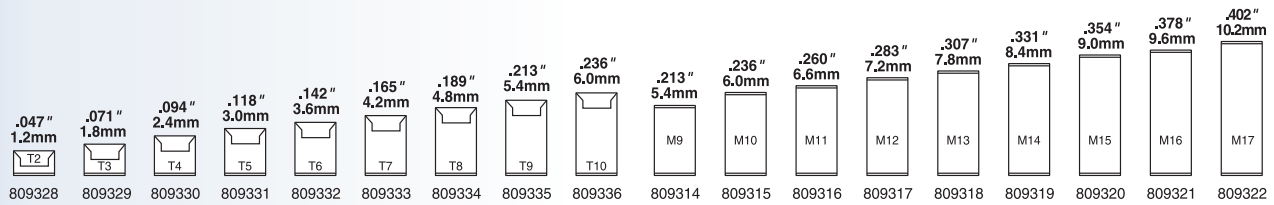
Padlocks

Profile Cyls.

**Pin Kits
Tools &
Accessories**

Care & Maint.

Technical Specs.



Interchangeable Core Parts

Model#	Notes	Description	Pkg. Qty.
354023		Control Sleeve	
359058		Maximum+ and Twin Maximum Inner Plug (Specify 0A7, 0M7)	
353213	*	IC Inner Plug (Specify Profile 51, 851)	
353968	*	V-10 IC Inner Plug	
807401		IC C-Ring	
807402		IC& Cam Lock Cover Slide	
807403		IC Cam Adapter	
807404		IC Wave Washer	
807405		IC Rubber Stop	
810695	*	IC Core (Figure-8) Housing	
807411	*	IC Mortise/Rim Housing	
809340		IC Core Chamber Spring (1st Four Chambers)	100
809312		IC Plug Spacer Washer	

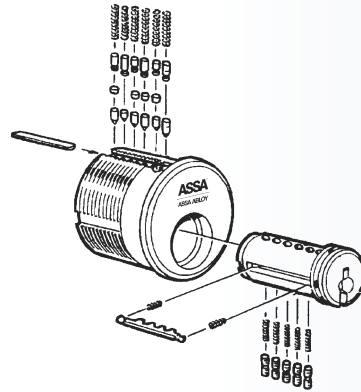
Top Pins for Interchangeable Core and Cam Locks Cylinders Only

Model#	Notes	Description	Pkg. Qty.
809328		Top Pin #2	100
809329		Top Pin #3	
809330		Top Pin #4	
809331		Top Pin #5	
809332		Top Pin #6	
809333		Top Pin #7	
809334		Top Pin #8	
809335		Top Pin #9	
809336		Top Pin #10	

Master Pins (Build Up) for Interchangeable Core Cylinders Only

Model#	Notes	Description	Pkg. Qty.
809314		Master Pin #9	100
809315		Master Pin #10	
809316		Master Pin #11	
809317		Master Pin #12	
809318		Master Pin #13	
809319		Master Pin #14	
809320		Master Pin #15	
809321		Master Pin #16	
809322		Master Pin #17	

*Indicate product finish.

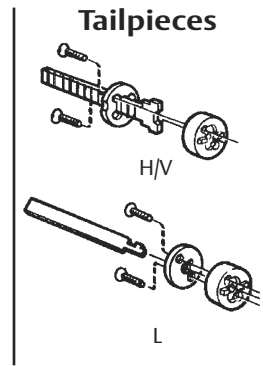
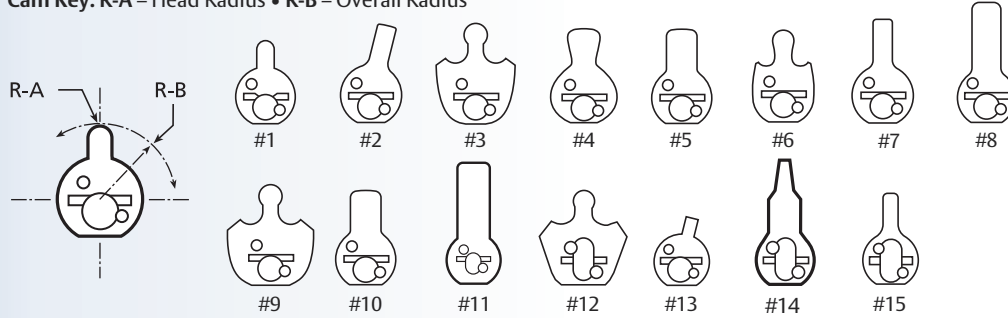


Pins, Spring & Closers

Model#	Notes	Description	Pkg. Qty.
807261		Driver Pin 1-2 (A)	100
807262		Driver Pin 3-4 (B)	
807263		Driver Pin 5-6 (C)	
807264		Driver Pin 7-8-9 (D)	
867070		Master Pin 1	
867071		Master Pin 2	
867072		Master Pin 3	
867073		Master Pin 4	
867074		Master Pin 5	
867075		Master Pin 6	
867076		Master Pin 7	
867077		Master Pin 8	
867078		Bottom Pin 1	
867079		Bottom Pin 2	
867080		Bottom Pin 3	
867081		Bottom Pin 4	
867082		Bottom Pin 5	
867083		Bottom Pin 6	
867084		Bottom Pin 7	
867085		Bottom Pin 8	
867086		Bottom Pin 9	
867065		Cylinder Springs	25
267008	*	Sidebar	
867015		Twin Side Pins	50
353838		V-10 Left Hand Side Pins	
359654		Maximum+ / Twin Maximum Left Hand Side Pins	
807164		Maximum+ / Twin Maximum / V-10 Sidebar Springs	100
807165		Maximum+ / Twin Maximum / V-10 Sidepin Springs	
867087		Twin Sidepin Springs	
867088		Twin Sidebar Springs	
868141		Pin Chamber Closing Strips, Mort, Rim, KIK	
867093		Closing Plugs, Oval Cylinders	
806346		Pin Chamber Closing Screws - Jumbo, Mogul, Dbolt	

*Specify Side Code

Cam Key: R-A – Head Radius • R-B – Overall Radius



Cams & Tailpieces

Model#	Description	R-A	R-B	Pkg. Qty.
867445	#1 Adams Rite Cam	0.118	0.555	10
867452	#2 Sargent Cam	N/A	0.709	
867446	#3 Corbin Clover Leaf Cam	0.114	0.602	
867447	#4 Corbin Beaver Tail Cam	N/A	0.732	
872610	#5 Yale/Standard Cam	N/A	0.709	
867453	#6 Schlage "L" Cam	0.124	0.516	
805412	#7 Segal Type Cam	N/A	0.779	
806471	#8 Jumbo Corbin Cam	N/A	0.914	
907306	#9 Best 30H Series	0.114	0.602	
353445	#10 Airteq/Norment Cam	N/A	0.787	
809337	#11 Airteq/Norment Mogul Cam	N/A	1.165	
354945	#12 Corbin Jumbo Clover Leaf Cam	0.114	0.828	
355849	#13 Sargent Short Cam	N/A	0.515	
355850	#14 Sargent Mogul	N/A	1.043	
872612	#15 Yale Replacement Cam	0.308	0.742	
867450	Horizontal & Vertical Rim Tailpiece kit			
867451	Lazy-motion Rim Tailpiece kit			
868958	Schlage KIK Plug Cap			10
868959	Schlage KIK Plug Cap Spring			100
868960	Schlage KIK Plug Cap Pin			
804877	Schlage Break-off Tailpiece			10
868654	Corbin New Style Standard-duty Tailpiece			100
868624	Rollpin - Corbin			10
868231	Cylinder Plug Retaining Ring			100
900250	Sargent 6-line, Arrow Tailpiece (short)			
900251	Sargent 6-line, Arrow Tailpiece (long)			
900252	Sargent 6-line, Arrow Tailpiece retaining ring			
900253	Sargent/Arrow Tailpiece (Med.)			
900254	Sargent 11-line T-Zone Tailpiece			
900256	Yale Key-In-Lever Tailpiece			
900257	Yale Key-In-Lever Roll Pin			
867045	Oval Cylinder Tailpiece			50
803169	Oval Cylinder Tailpiece, 505 Lock Function			
867046	Tailpiece Washer			50
867090	Phillips Screws for Cams, Mortise & Oval Tailpiece			100
868138	Slotted Screws for Rim Tailpiece			
868134	Tail Extension for Rim Cylinder			
867109	Break-off Tailpiece for V/H Rim Cylinder			
868136	Lazy Motion Tailpiece for Rim Cylinder			
867454	Sargent RC Tailpiece (7 Line Lever)			
867455	Sargent RC Tailpiece (10 Line Lever)			
867456	Sargent RC Tailpiece (11 Line Lever)			

General Info.

Electronic Access Control

Keys & Keying

Mortise Cyls.

Rim Cyls.

Mogul Cyls.

IC Core Cyls.

KIK/KIL Cyls.

Deadbolts

Auxiliary Locks

Padlocks

Profile Cyls.

Pin Kits Tools & Accessories

Care & Maint.

Technical Specs.

General Info.

Electronic Access Control

Keys & Keying

Mortise Cyls.

Rim Cyls.

Mogul Cyls.

IC Core Cyls.

KIK/KIL Cyls.

Deadbolts

Auxiliary Locks

Padlocks

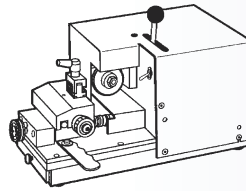
Profile Cyls.

Pin Kits Tools & Accessories

Care & Maint.

Technical Specs.

Positive Stop Code Machine
PS6000T



Pin Kits & Tools

Model#	Description
PK-1	Pin Kit No.1 Full-Size Standard Kit for Twin
PK-IC	Pin Kit-Interchangeable Core Upgrade
PK-MM	Micro Mini Pin Kit
PK-CAM	PK Cam Lock Upgrade
MPK	Master Pinning Kit Twin & IC
869018	Twin Series Cutter Wheel for HPC Code Max CM90Z/.032"
869017	Twin Series Framon Cutter Wheel
867056	Cutter Wheel for PS-7000R
KXASDC	Depth Cam for KX-1 ASSA
KXASSC	Space Cam for KX-1 ASSA
KXAS01	Cam Set for KX-1
KXAS02	Cam Set Plus Vise
KXAS03	Cam Set Plus Cutter
KXAS04	Cam Set (Cutter Vise)
F2SH050A	ASSA Vise
807718	ASSA Lock Spray Lubricant
816296	ASSA Lock Spray Cleaner/De-Icer
PL872630	ASSA Maximum+ Cutaway
PS-6000T	Positive Stop Code Key Machine
907200	PK-1 Pin Kit Box Only
907205	PK-IC Pin Kit Box IC Only
907206	MPK Pin Kit Box Only
907207	Micro Mini Pin Kit Box Only
907208	Pin Kit Cam Lock Upgrade Box Only
907009	Clear Deadbolt Mounting Ring
SGTRCTOOL	Shearing Tool for Sargent style Interchangeable Core
CRRCTOOL	Shearing Tool for Corbin Russwin style Interchangeable Core
KD-98	ASSA Key Gauge
907044	ASSA Plug Follower
907046	ASSA Screwdriver